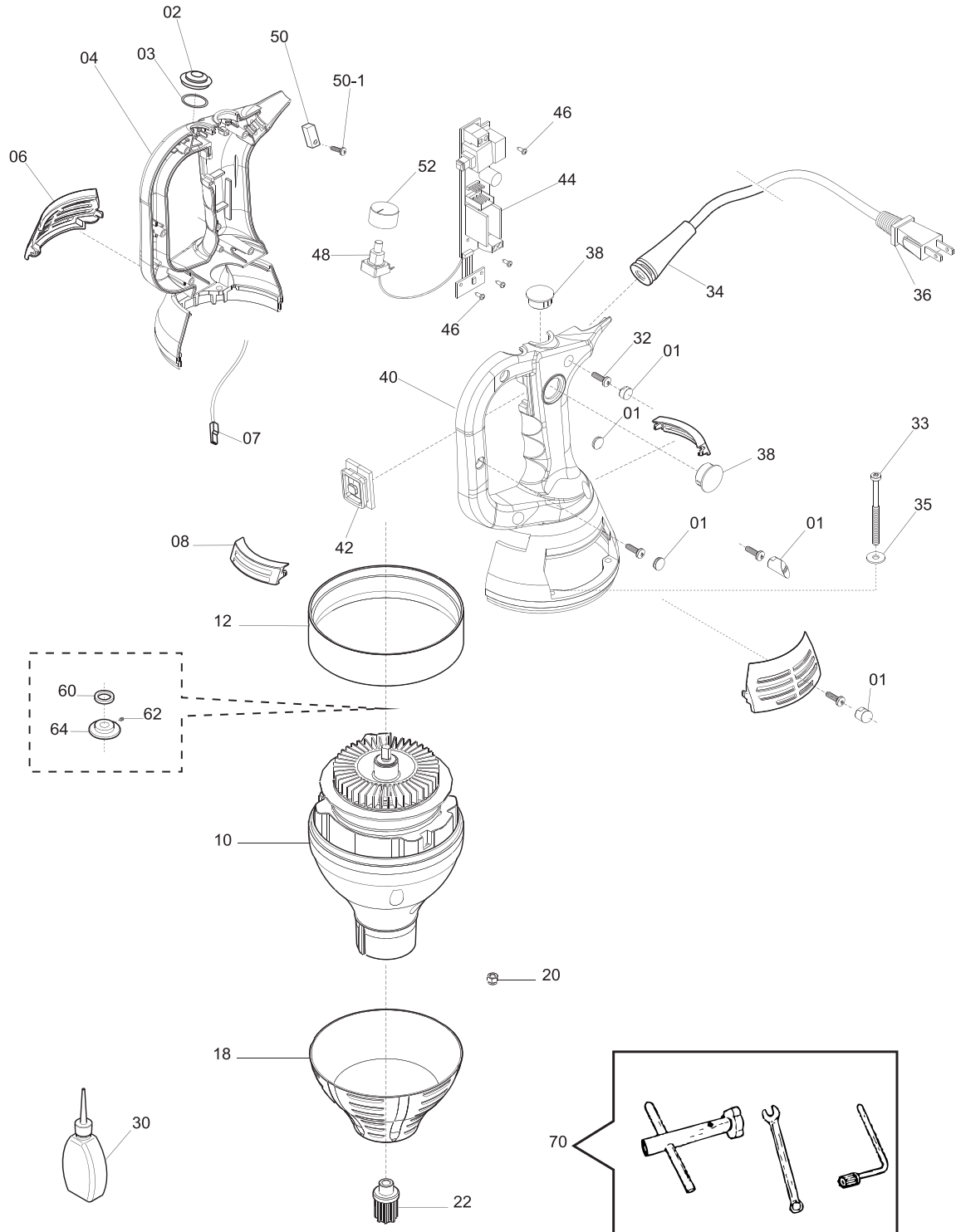


Parts Breakdown

Model BL-IT-0075-VT 47712



Parts Breakdown

Model BL-IT-0075-VT 47712

Item No.	Description	Position	Item No.	Description	Position	Item No.	Description	Position
AN562	Caps Set for 47712	1	AN573	Male Coupling for 47712	22	AN584	Push-Lock Switch Assembly for 47712	46
AN563	Speed Regulator Cap for 47712	2	AN574	Loctite 406 GR.20 for 47712	30	AN585	Spring D.4,3 Sez.0,8 L.13mm for 47712	48
AN564	OR D.15,6 TH.1.78 for 47712	3	AN575	Auto Screw TC Cross Stainless Steel 3.9x16 for 47712	32	AN586	Cable Stopper BLO-R4B for 47712	50
AN565	Right Knob Frame for 47712	4	AN576	Screw TE Recess.Zinc.M5x70 for 47712	33	AN587	Screw Aut.TC Cross Zin. 3,5x13 for 47712	50-1
AN566	Air Intake Grid for 47712	6	AN577	Strain Relief for 47712	34	AN588	Variable Speed Dial Knob for 47712	52
AN567	Motor Wires for 47712	7	AN578	Washer D.5 for 47712	35	AN589	Var.Speed Dial+Control Board for 47712	54
AN568	Air Outlet Grill for 47712	8	AN579	Power Cable Y18 for 47712	36	AN590	Polarized Magnet 8 Sectors for 47712	60
AN569	Engine Assembly 110/60 for 47712	10	AN580	Lock Switch Cover for 47712	38	AN591	Raw Grain M4x4 for 47712	62
AN570	Distance Mot.Plast. for 47712	12	AN581	Left Knob Frame for 47712	40	AN592	Disk Magnet for 47712	64
AN571	Rubber Cover for 47712	18	AN582	Cover, Power Switch for 47712	42	AN593	Disassembling Tools - Shaft for 47712	70
AN572	Long Nut D.8x25 Galvanized for 47712	20	AN583	Button Assy from 2010 for 47712	44			